

## HG0608FCS-HSP

6mm F0.8 Aspherical lens

for 1/2" format camera

CS-Mount

with Focus , W/O Amplifier

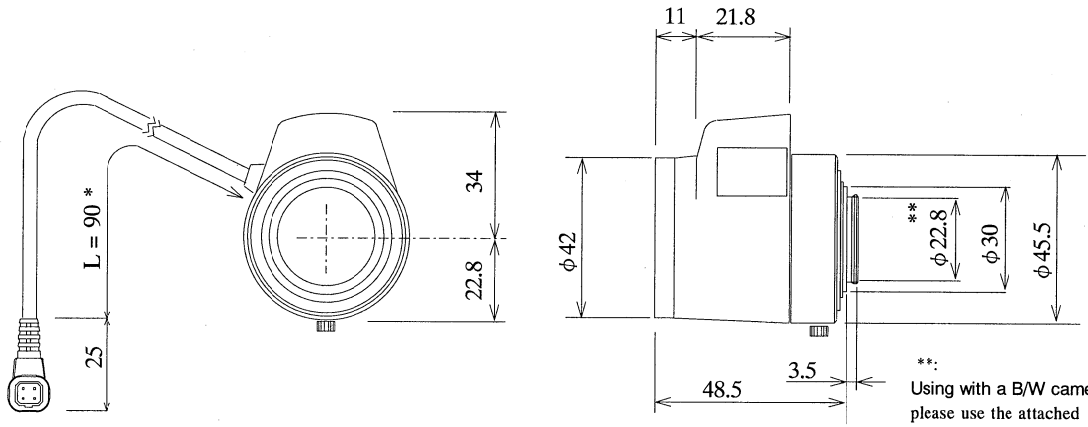
<b>Model No.</b>	HG0608FCS-HSP		<b>Effective</b>	<b>Front</b>	φ 23.0 mm
<b>Focal Length</b>	6 mm		<b>Lens Aperture</b>	<b>Rear</b>	φ 16.1 mm
<b>Max. Aperture Ratio</b>	1:0.8		<b>Back Focal Length</b>		9.11 mm
<b>Max. Image Format</b>	6.4×4.8 mm (φ 8 mm)		<b>Flange Back Length</b>		12.5 mm
<b>Operation</b>	<b>Iris</b>	F0.8~360 (by galvano control)	<b>Mount</b>		CS-Mount
	<b>Focus</b>	Manual,[0.25m~Inf.]	<b>Filter Size</b>		M40.5 P=0.5mm
<b>Object Dimension at M.O.D.</b>	27.0×19.9 cm		<b>Dimensions</b>		φ 42.0×56.8×48.5 mm
<b>Angle of View</b>	<b>D</b>	68.5°	1/3"		53.5°
	<b>H</b>	56.7°			43.4°
	<b>V</b>	43.4°			32.9°
<b>Coil</b>	<b>Drive</b>	190 ohm			
	<b>Control</b>	1000 ohm			
<b>Operating Temperature</b>	-20° C ~ +50° C				

1/2

CS

M.O.D. : Minimum Object Distance

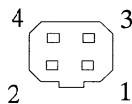
### Dimensions



\* : 310 mm cable is available

\*\*:  
Using with a B/W camera,  
please use the attached  
"B/W aberration compen-  
sation Filter" and  
"FB compensation Spacer".  
The filter (M22 p=0.5mm)  
should be screwed onto  
the lens from rear side  
and the spacer should be  
placed between lens and  
camera.

### Wiring Diagram



### Pin No.

1	Brown	Control (-)
2	Red	Control (+)
3	Yellow	Drive (+)
4	Orange	Drive (-)

AG